

FIST® EDSA2 Fiber Optic Splice Closure, Gel Cable Sealing, for high splice tray capacity, without test valve

- Single-ended base with two-latches dome design and reliable cable attachment system
- One oval shaped gel-sealed wrap around feeder port for up to two feeder cables or microtubes
- Four long oval-shaped gel-sealed wrap around drop ports for up to twelve drop cables each
- One round entry/exit port for use with multi-out gel seal kits
- Fast, easy and toolless installation based upon the FIST fiber management system
- Intuitive identification capabilities and full repair/upgrade possibilities

Product Classification

Regional Availability	Australia/New Zealand EMEA Latin America
Product Type	Single-ended, rectangular fiber closure
Product Brand	FIST®
Product Series	FIST-EDSA2
Ordering Note	Splice tray kits, mounting bracket and drop seals to be ordered separately

General Specifications

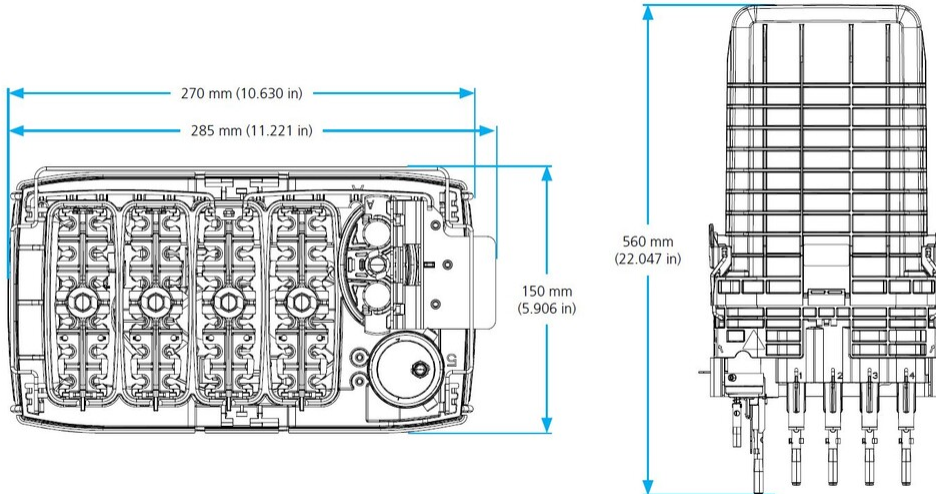
Cable Entry Drop Port Style	Gel block
Cable Entry Main Port Style	Gel block
Cable Ports Quantity, total	1 oval port (2 cables) + 5 multi-out ports (64 cables)
Cable Sealing Type	Compressed gel
Closure Sealing Type	Side latch
Closure Style	Single-ended
Color	Black
Flash Test Valve	None
Mounting	Handhole Manhole Wall
Network Area Type	Distribution Drop
Splice Tray Included, quantity	0
Splice Tray Type Included	No trays
Splicing Capacity, Single Fusion, maximum	288
Splicing Type, Supported	Single fusion

Dimensions

760251580 | FIST-EDSA2-D5H-N

Height	150 mm 5.906 in
Width	270 mm 10.63 in
Length	560 mm 22.047 in
Main Cable Diameter, maximum	16 mm 0.63 in

Dimension Drawing



Splicing Configuration

	Standard splice version D5		High capacity splice version D5H	
UMS units	16		24	
	Trays	Fibers	Trays	Fibers
Single circuit cassettes SC (up to 4 splices)	16	64	24	96
Single element cassettes SE (up to 12 splices)	8	96	12	144
Single element cassettes slim SLE (up to 12 splices)	16	192	24	288

Material Specifications

760251580 | FIST-EDSA2-D5H-N

Material Type Impact-resistant polymer

Environmental Specifications

Environmental Space Above ground | Aerial | Below ground | Buried

Qualification Standards IEC 60529, IP68 + 2 m waterhead

Water Resistance 20 kPa

Packaging and Weights

Packaging quantity 1

Packaging Type Box | Carton

Regulatory Compliance/Certifications

Agency	Classification
CHINA-ROHS	Above maximum concentration value
ISO 9001:2015	Designed, manufactured and/or distributed under this quality management system
REACH-SVHC	Compliant as per SVHC revision on www.commscope.com/ProductCompliance
ROHS	Compliant/Exempted
UK-ROHS	Compliant/Exempted

